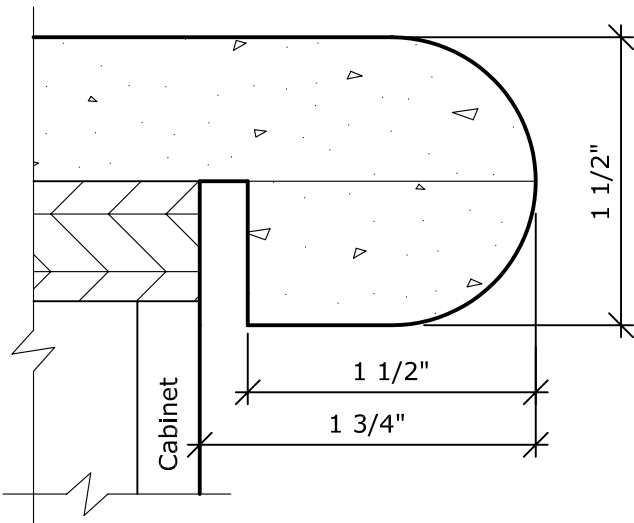


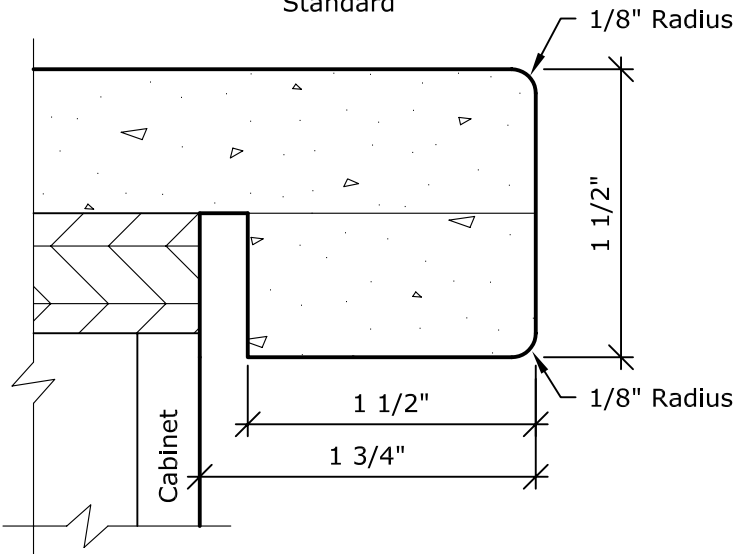
**Bull Nose**  
Standard



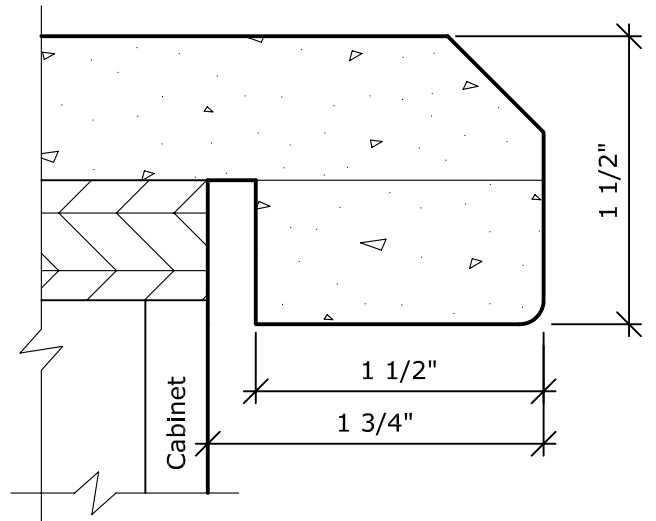
- Commonly Used Edge Details -  
Additional And Custom Edge Details  
Available Upon Request

All details herein are drawn to full scale

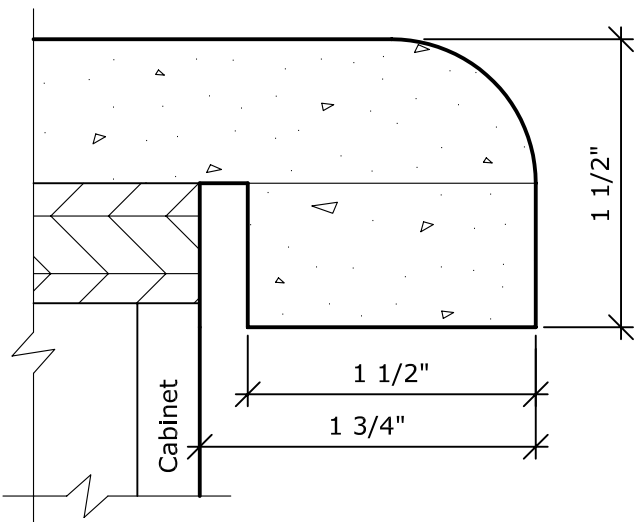
**Flat**  
Standard



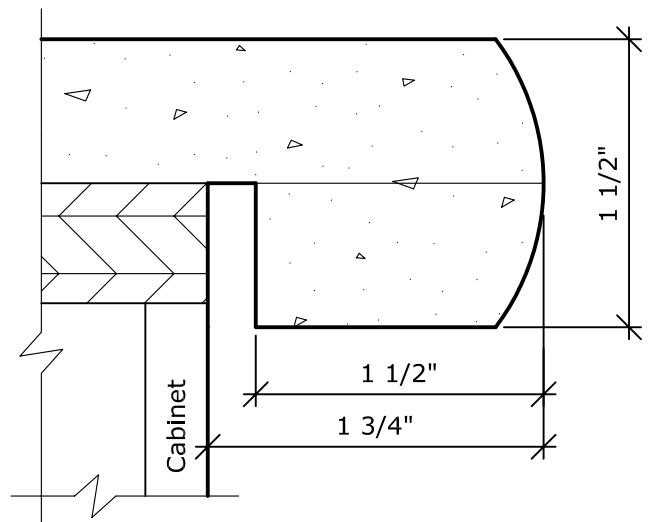
**Bevel**  
Standard



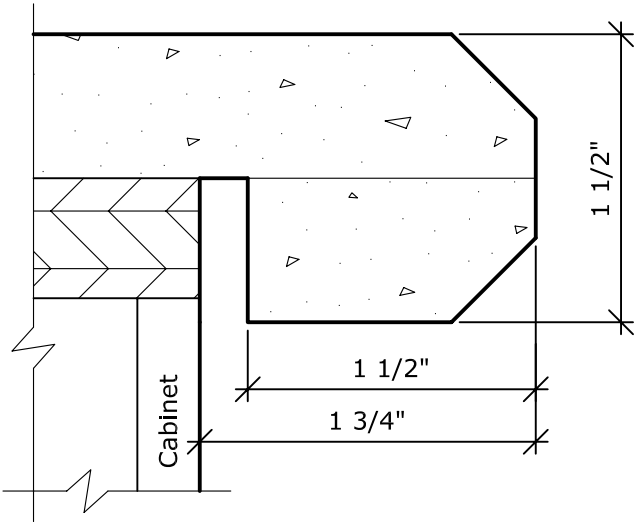
**3/4" Bull Nose**  
Standard



**1 1/2" Pencil**  
Standard



Double Bevel  
Additional Cost

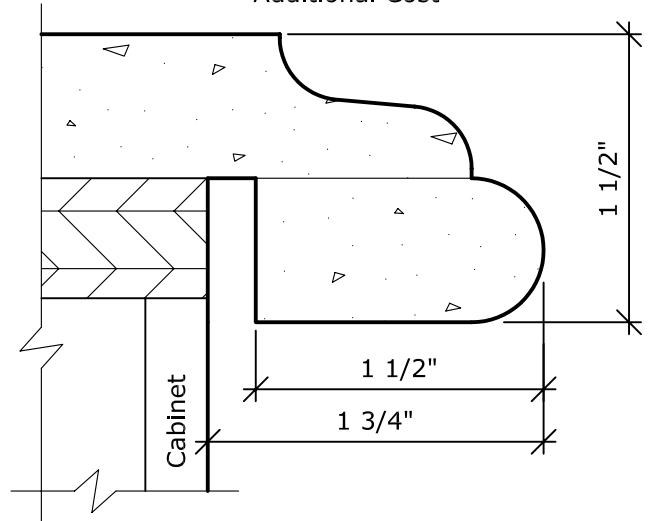


- Commonly Used Edge Details -  
Additional And Custom Edge Details  
Available Upon Request

All details herein are drawn to full scale

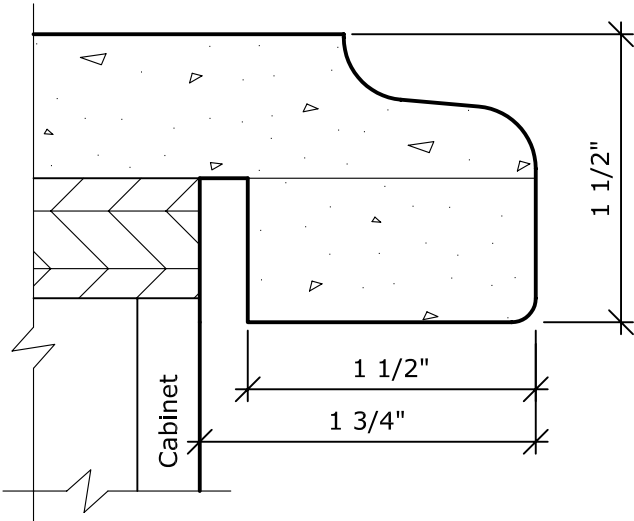
Ogee with Stepped  
3/4" Bull Nose

Additional Cost



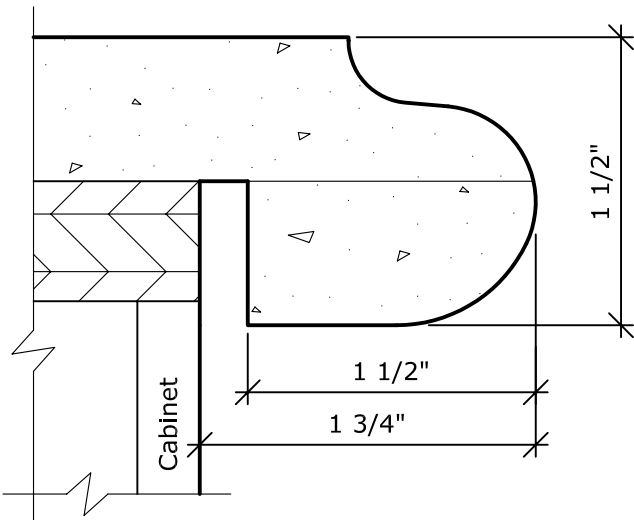
Ogee

Additional Cost



Ogee with 3/4" Bull Nose

Additional Cost



Broken Edge

Additional Cost

